

**VR2D 72.5-550 kV Pantograph disconnecter**

**HV Switching**



## We know how

Our range of pantograph disconnectors is designed to ensure the best performances and reliability, which are the result of our 60-year old experience.

Over 50,000 disconnectors installed in more than 100 countries worldwide are the guarantee of best-buys.



## The VR2D pantograph disconnector

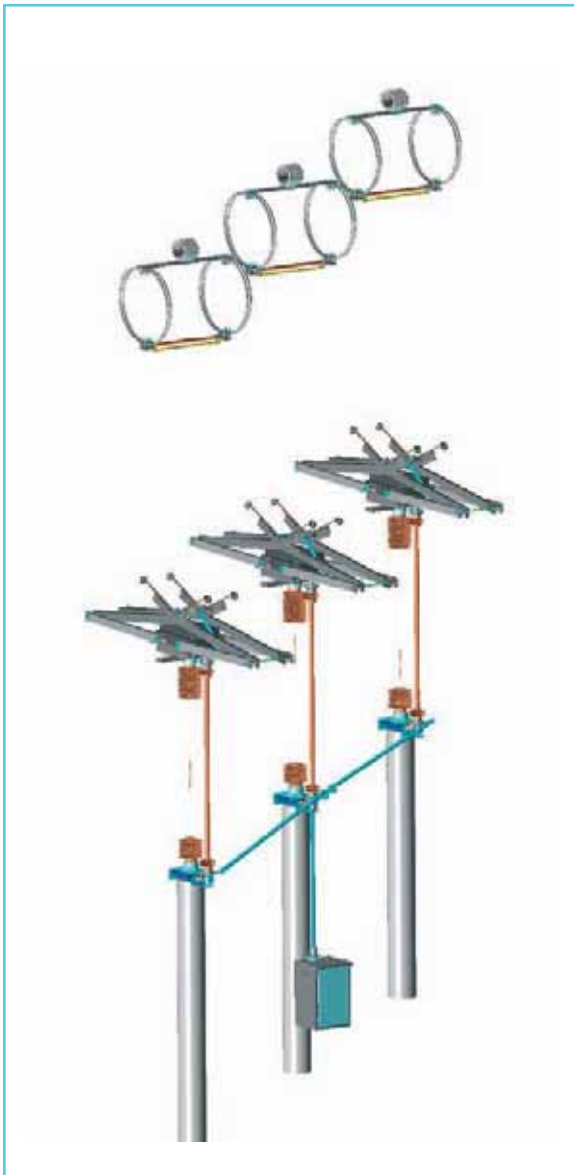
The VR2D disconnector is composed of three poles operated simultaneously either by a single operating mechanism and mechanical linkages between the poles, or by one single operating mechanism for each pole.

The pantograph is generally used as a “busbar disconnector”, since it allows very reduced phase-to-phase clearances for feeder/transformer bays and stands just beneath the main busbar: no other AIS solution is more compact and efficient.

The short time current withstand reaches exceptional values, due to the geometry of the switch : in case of short-circuit, the electrodynamic forces act on the parallel profiles to increase the contact pressure.

The insulating columns used for the VR2D comply with the IEC or the ANSI Standards. Special heights and creepage distances are also available upon request.

Like all our models, the VR2D complies with the latest international standards (IEC, ANSI), but can also be customised according to customers' particular specifications.



## Earthing switch

Integrated earthing blades are available for mounting on each pole, with the same short-time current withstand capability.

The earthing switch is actuated by the same types of operating mechanisms as the disconnector, either manually or electrically, either single- or 3-pole. It can be electrically and/or mechanically interlocked with the main switch.

## Construction features

The arms of each pole are made of drawn aluminium tubes, with the silver-plated jaws bolted at their ends.

According to the rated voltage, the current path at hinged points is ensured by copper braids or by selfcleaning, maintenance-free rotary contacts, with silverplated "fingers", individually loaded by stainless steel springs.

According to the rated voltage, the current path at hinged points is ensured by self-aligned and maintenance-free rotary contacts, with silver-plated slides, individually loaded by stainless steel springs.

The arms are ideally balanced to ensure a smooth, low energy demanding motion. All the hardware of the live part is made of stainless steel.

The fixed contact consists of a silver-plated copper tube, hung to the upper busbar through flexible aluminium loops ensuring the best alignment, even in case of unexpected motion of the upper busbar. This also allows for an easy adjustment of the position of the fixed contact, whatever the height of the upper busbar. The connector to the upper busbar can be supplied upon request.

The HV terminals are made of robust aluminium-alloy plates. Their location allows an easy bypass of the disconnecter, if needed. The connector to the upper busbar can be supplied upon request. Where necessary, suitable shields protect the main circuit from the corona effect.

The base plate is made of hot-dip galvanized steel. The bearings are sealed and guaranteed to ensure maintenance-free operation for the whole life of the equipment.

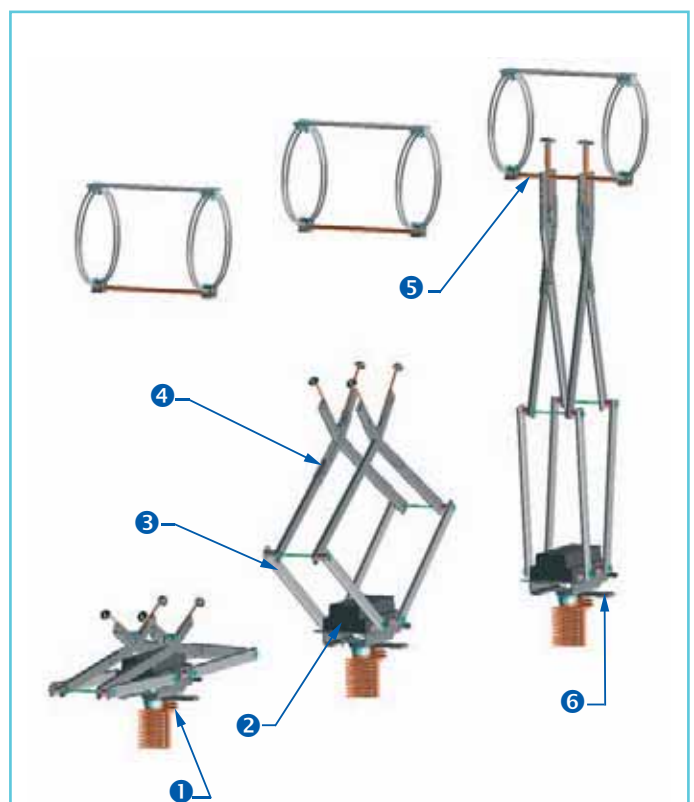
The whole design and manufacturing process is ruled by ISO 9001 certified procedures, to guarantee a perfect reproducibility of performances from type-testing to the series production.

## Operating principle

The base plate supports the post insulator on which the upper frame is bolted. The rotating insulating rod (driving insulator), which operates the arms is directly connected to the operating mechanism.

From the open position, the insulating rod ① rotates to move the arms through the geared system inside the upper frame ②. The lower arms ③ raise together and close the jaws of the upper arms ④ on the fixed contact bar ⑤. After having reached the final closed position, the moving part is locked by a dead-point passing, preventing any accidental opening.

The flat HV terminals ⑥ are as per the next page figure. Custom terminals are also available upon request.



## Ratings and dimensions

The values in the table refer to IEC standards, unless explicit reference to ANSI is made.

Rated voltage		Ur (kV)	72.5	123	145	170	245		300	362	420	550
Rated power frequency withstand voltage	TE	Ud (kV)	140	230	275	325	395	460	380	450	520	620
	AID	Ud (kV)	160	265	315	375	460	530	435	520	610	800
Rated lightning impulse withstand voltage	TE	Up (kV)	325 (IEC) 350 (ANSI)	550	650	750	950 (IEC) 900 (ANSI)	1050	1050	1175	1425	1550
	AID	Up (kV)	375	630	750	860	1050	1200	1050 (+170)	1175 (+205)	1425 (+240)	1550 (+315)
Rated switching impulse withstand voltage	TE	Us (kV)	-	-	-	-	-	-	850	950	1050	1175
	AID	Us (kV)	-	-	-	-	-	-	700 (+245)	800 (+295)	900 (+345)	900 (+450)

TE : To Earth  
AID : Across the Isolating Distance

Rated permanent current	Ir (A)	Up to 5000 A IEC / ANSI										
Rated short-time withstand current	Ik (kA)	Up to 63 kA / 3s										
Rated peak withstand current	Ip (kA)	Up to 160 kA										

Dimensions (mm)	A	+15/-10	1175	2100	2350	2670	3435	3435	3435	3688	4550	4975	
B			1090	1390	1670	1870	2270	2470	2820	2820	3570	3870	
C			325 ± 5	800 ± 200							900 ± 100	1000 ± 100	
D			770	1220	1500	1700	2100	2300	2650	2650	3350	3650	
E			440	940	1090	1240	1635	1635	1635	1910	1900	2300	
F			640	1100							1100	1200	
G	≤ 2500 A		0	205							0	0	
	> 2500 A		-	0							0	0	
H			500	630					720	980	980		
J			4(20x38)	4 Ø22						8 Ø18	8 Ø18		
K			-	-							Ø300	Ø300	
L			550	320							-	-	
M			180	220							-	-	

## Reliability and maintenance

Due to lifetime greased or self-lubricated hinges and to self-wiping contacts, the maintenance of VR2D metallic parts is ensured by their own motion.

The use of corrosion-free or treated materials for all components ensures an exceptional reliability over many years of service.

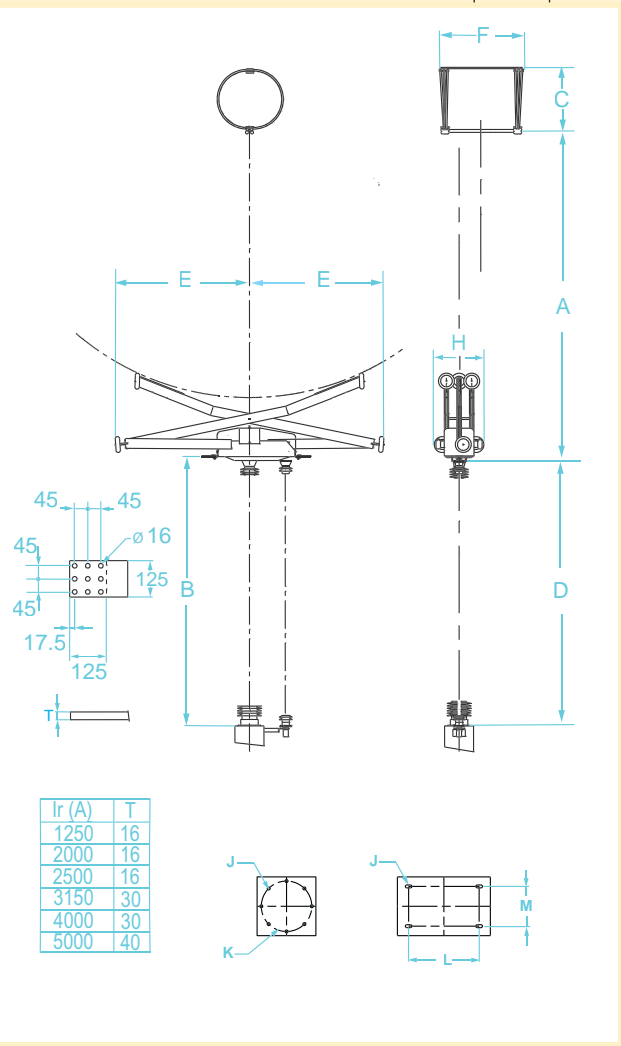
The mechanical endurance performance exceeds the IEC standard requirements.

## Optional devices

Upon request, the disconnector can be equipped with a bus-transfer current switching device compliant with IEC 62271-102 (Annex B).

The integrated earthing switch can also be fitted with optional induced current switching devices compliant with IEC 62271-102 (Annex C).

For operation under severe ice conditions (up to 20 mm), ice shields are available for protection of the equipment (where needed).



### COELME

Via G. Galilei, 1/2 - 30036 Santa Maria di Sala (VE) - Italia  
Tel.: +39 041 486022 - Fax: +39 041 486909  
E-Mail: contact@coelme-egic.com, www.coelme-egic.com

### EGIC

60b, rue L. et R. Desgrand - 69625 Villeurbanne CEDEX - France  
Tel.: +33 4 72 66 20 70 - Fax: +33 4 72 39 08 65  
E-Mail: contact@coelme-egic.com, www.coelme-egic.com