

CBD 36-52 kV Centre-break disconnecter



HV Switching

The CBD 36-52 kV centre-break disconnecter

The CBD 36-52 kV centre-break disconnecter consists of two hard-drawn aluminium arms, bolted at the top of two rotating insulators.

Both rotary and main contacts are made of silver plated copper (number of fingers, which are individually loaded by stainless springs, and silver thickness depend on the rated current); also cylindrical terminals are made of copper.

The base-frame, provided with two rotary supports, is made of hot-dip galvanized steel; bearings are suitably protected to ensure maintenance-free operation for the whole life of the equipment.

Insulating columns comply with the IEC or ANSI standards; special heights and creepage distances are available upon request.

Vertical shaft and linkages are made of hot-dip galvanized steel.

Integrated earthing switches are available for mounting on each or both sides of the pole.

The three poles are usually operated simultaneously, either manually or electrically, by a single operating mechanism.

Upon request, the equipment can be fitted with special devices allowing it to switch small currents; suitable shields, where needed, are also available to allow it to operate under severe ice conditions (up to 20 mm).

Like all our models, the CBD 36-52 kV complies with the latest international standards (IEC, ANSI), but can also be customised according to clients' particular specifications.

Reliability and maintenance

The whole design and manufacturing process is ruled by ISO 9001 certified procedures, to guarantee a perfect reproducibility of performances, from type testing to the series production.

The use of corrosion-free or suitably protected materials, lifetime greased or self-lubricated hinges and self-wiping contacts ensures an exceptional reliability of the equipment over many years of service, with no need for special maintenance even under the harshest environmental conditions.

Ratings and dimensions

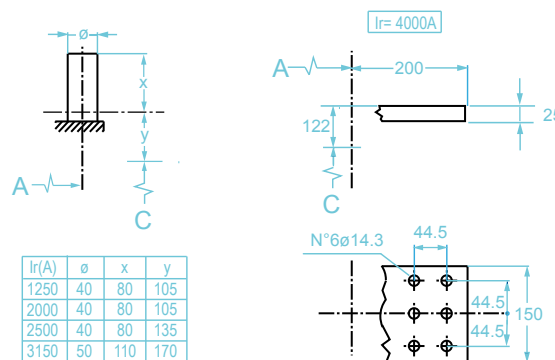
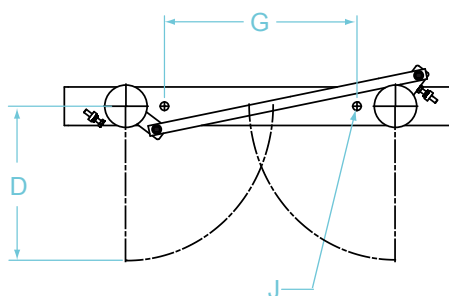
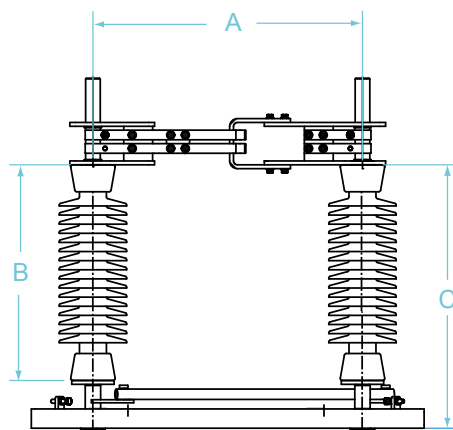
The values in the table refer to IEC Standards only

Rated voltage	Ur (kV)	36	52
Rated power-frequency withstand voltage	TE Ud (kV)	70	95
	AID Ud (kV)	80	110
Rated lightning impulse withstand voltage	TE Up (kV)	170	250
	AID Up (kV)	195	290

TE: to earth
AID: across the isolating distance

Rated permanent current	Ir (A)	up to 4000A (according to the rated voltage)
Rated short-time withstand current	Ik (kA)	up to 40/3s kA (according to the rated current)
Rated peak withstand current	Ip (kA)	up to 103 kA (according to the rated current)

Dimension (mm)	A	500	700
B	445	560	
C	570	685	
D	~300	~400	
G	300	500	
J	2 Ø22	2 Ø22	



COELME

Via G. Galilei, 1/2 - 30036 Santa Maria di Sala (VE) - Italia
Tel.: +39 041 486022 - Fax: +39 041 486909
E-Mail: contact@coelme-egic.com, www.coelme-egic.com

EGIC

60b, rue L. et R. Desgrand - 69625 Villeurbanne CEDEX - France
Tel.: +33 4 72 66 20 70 - Fax: +33 4 72 39 08 65
E-Mail: contact@coelme-egic.com, www.coelme-egic.com